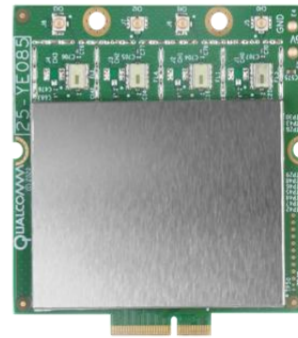


MX6974 F5 802.11ax Embedded Wireless modules

Description

MX6974 F5 802.11ax Embedded Wireless modules that adopts M.2 E-key and supports PCI Express 3.0 protocol. It adopts Qualcomm® 802.11ax Wi-Fi technology, supports the 5180-5850GHz frequency band, has AP and STA functions with 4x4 MIMO and 4 spatial streams, suitable for applications of 5GHz IEEE802.11a/n/ac/ax. It is equipped with a dynamic frequency selection (DFS) function which has higher transmission efficiency than the previous generation.



Specification

TYPE	Wireless Module
CHIP	QCN9074
IEEE STANDARD	IEEE 802.11ax
CONNECTOR	PCI Express 3.0, M.2 E-key
WORKING VOLTAGE	3.3V/5V
FREQUENCY RANGE	5G: 5.180GHz~5.850GHz
MODULATION TECHNOLOGY	802.11n: OFDM (BPSK, QPSK, 16-QAM, 64-QAM, 256-QAM) 802.11ac: OFDM (BPSK, QPSK, 16-QAM, 64-QAM, 256-QAM) 802.11ax: OFDMA (BPSK, QPSK, DBPSK, DQPSK, 16-QAM, 64-QAM, 256-QAM, 1024-QAM, 4096-QAM)
POWER (PER CHAIN)	802.11ax: Max. 21dBm
POWER CONSUMPTION	≤ 15W
RECEIVING SENSITIVITY	11ax: HE20 MCS0 <-89dBm / MCS11 <-64dBm HE40 MCS0 <-89dBm / MCS11 <-60dBm HE80 MCS0 <-86dBm / MCS11 <-58dBm

Nanjing MAXON O.E. TECH. CO., LTD

Add: 6/F, Building A3, Zidong International Creative Park, Zidong Road, Qixia District, Nanjing, China.

ANTENNA CONNECTOR	4 x U.FL
OPERATING ENVIRONMENT	Temperature: -20°C to 70°C/-4 ~ 158°F Humidity : 95% (non-condensing)
STORAGE ENVIRONMENT	Temperature: -40°C to 90°C/-40 ~ 194°F Humidity: 90% (non-condensing)
CERTIFICATION	RoHS/REACH
WEIGHT	20g
DIMENSIONS (W*H*D)	60 x 57 x 4.2mm (±0.1mm)

Radio Frequency Parameters

	RATE	TRANSMIT POWER (PER CHAIN)	TOLERANCE	RECEIVE SENSITIVITY	TOLERANCE
802.11a	6Mbps	21dBm	±2dB	-91dBm	±2dB
	9Mbps	21dBm	±2dB	---	±2dB
	12Mbps	21dBm	±2dB	---	±2dB
	18Mbps	21dBm	±2dB	---	±2dB
	24Mbps	20dBm	±2dB	---	±2dB
	36Mbps	20dBm	±2dB	---	±2dB
	48Mbps	17dBm	±2dB	---	±2dB
	54Mbps	17dBm	±2dB	-74dBm	±2dB
802.11n/ac VHT20	MCS0	21dBm	±2dB	-91dBm	±2dB
	MCS1	21dBm	±2dB	---	±2dB
	MCS2	21dBm	±2dB	---	±2dB
	MCS3	21dBm	±2dB	---	±2dB
	MCS4	20dBm	±2dB	---	±2dB
	MCS5	20dBm	±2dB	---	±2dB
	MCS6	17dBm	±2dB	---	±2dB
	MCS7	17dBm	±2dB	-74dBm	±2dB
	MCS8	17dBm	±2dB	---	±2dB
	MCS9	17dBm	±2dB	-67dBm	±2dB

MAXON

Link Of Your Think

Nanjing MAXON O.E. TECH. CO., LTD

TEL: 86-25-86380932

WEB: www.mxcomm.cn

E-MAIL: info@maxonc.com

Nanjing MAXON O.E. TECH. CO., LTD

Add: 6/F, Building A3, Zidong International Creative Park, Zidong Road, Qixia District, Nanjing, China.

	RATE	TRANSMIT POWER (PER CHAIN)	TOLERANCE	RECEIVE SENSITIVITY	TOLERANCE
802.11n/ac VHT40	MCS0	21dBm	±2dB	-89dBm	±2dB
	MCS1	21dBm	±2dB	---	±2dB
	MCS2	21dBm	±2dB	---	±2dB
	MCS3	21dBm	±2dB	---	±2dB
	MCS4	20dBm	±2dB	---	±2dB
	MCS5	20dBm	±2dB	---	±2dB
	MCS6	17dBm	±2dB	---	±2dB
	MCS7	17dBm	±2dB	-71dBm	±2dB
	MCS8	17dBm	±2dB	---	±2dB
	MCS9	17dBm	±2dB	-65dBm	±2dB
802.11ac VHT80	MCS0	21dBm	±2dB	-86dBm	±2dB
	MCS1	21dBm	±2dB	---	±2dB
	MCS2	21dBm	±2dB	---	±2dB
	MCS3	21dBm	±2dB	---	±2dB
	MCS4	20dBm	±2dB	---	±2dB
	MCS5	20dBm	±2dB	---	±2dB
	MCS6	17dBm	±2dB	---	±2dB
	MCS7	17dBm	±2dB	---	±2dB
	MCS8	17dBm	±2dB	---	±2dB
	MCS9	17dBm	±2dB	-61dBm	±2dB
802.11ac VHT160	MCS0	19dBm	±2dB	---	±2dB
	MCS1	19dBm	±2dB	---	±2dB
	MCS2	19dBm	±2dB	---	±2dB
	MCS3	19dBm	±2dB	---	±2dB
	MCS4	18dBm	±2dB	---	±2dB
	MCS5	18dBm	±2dB	---	±2dB
	MCS6	15dBm	±2dB	---	±2dB
	MCS7	15dBm	±2dB	---	±2dB
	MCS8	15dBm	±2dB	---	±2dB
	MCS9	15dBm	±2dB	---	±2dB

MAXON

Link Of Your Think

Nanjing MAXON O.E. TECH. CO., LTD

TEL: 86-25-86380932

WEB: www.mxcomm.cn

E-MAIL: info@maxonc.com

Nanjing MAXON O.E. TECH. CO., LTD

Add: 6/F, Building A3, Zidong International Creative Park, Zidong Road, Qixia District, Nanjing, China.

	RATE	TRANSMIT POWER (PER CHAIN)	TOLERANCE	RECEIVE SENSITIVITY	TOLERANCE
802.11ax HE20	MCS0	21dBm	±2dB	-89dBm	±2dB
	MCS1	21dBm	±2dB	---	±2dB
	MCS2	21dBm	±2dB	---	±2dB
	MCS3	21dBm	±2dB	---	±2dB
	MCS4	20dBm	±2dB	---	±2dB
	MCS5	20dBm	±2dB	---	±2dB
	MCS6	17dBm	±2dB	---	±2dB
	MCS7	17dBm	±2dB	---	±2dB
	MCS8	17dBm	±2dB	---	±2dB
	MCS9	17dBm	±2dB	---	±2dB
	MCS10	16dBm	±2dB	---	±2dB
	MCS11	16dBm	±2dB	-64dBm	±2dB
	MCS12	10dBm	±2dB	---	±2dB
	MCS13	10dBm	±2dB	---	±2dB
802.11ax HE40	MCS0	21dBm	±2dB	-89dBm	±2dB
	MCS1	21dBm	±2dB	---	±2dB
	MCS2	21dBm	±2dB	---	±2dB
	MCS3	21dBm	±2dB	---	±2dB
	MCS4	20dBm	±2dB	---	±2dB
	MCS5	20dBm	±2dB	---	±2dB
	MCS6	17dBm	±2dB	---	±2dB
	MCS7	17dBm	±2dB	---	±2dB
	MCS8	17dBm	±2dB	---	±2dB
	MCS9	17dBm	±2dB	---	±2dB
	MCS10	16dBm	±2dB	---	±2dB
	MCS11	16dBm	±2dB	-60dBm	±2dB
	MCS12	10dBm	±2dB	---	±2dB
	MCS13	10dBm	±2dB	---	±2dB

MAXON

Link Of Your Think

Nanjing MAXON O.E. TECH. CO., LTD

TEL: 86-25-86380932

WEB: www.mxcomm.cn

E-MAIL: info@maxonc.com

Nanjing MAXON O.E. TECH. CO., LTD

Add: 6/F, Building A3, Zidong International Creative Park, Zidong Road, Qixia District, Nanjing, China.

	RATE	TRANSMIT POWER (PER CHAIN)	TOLERANCE	RECEIVE SENSITIVITY	TOLERANCE
802.11ax HE80	MCS0	21dBm	±2dB	-86dBm	±2dB
	MCS1	21dBm	±2dB	---	±2dB
	MCS2	21dBm	±2dB	---	±2dB
	MCS3	21dBm	±2dB	---	±2dB
	MCS4	20dBm	±2dB	---	±2dB
	MCS5	20dBm	±2dB	---	±2dB
	MCS6	17dBm	±2dB	---	±2dB
	MCS7	17dBm	±2dB	---	±2dB
	MCS8	17dBm	±2dB	---	±2dB
	MCS9	17dBm	±2dB	---	±2dB
	MCS10	16dBm	±2dB	---	±2dB
	MCS11	16dBm	±2dB	-58dBm	±2dB
	MCS12	10dBm	±2dB	---	±2dB
	MCS13	10dBm	±2dB	---	±2dB
802.11ax HE160	MCS0	19dBm	±2dB	---	±2dB
	MCS1	19dBm	±2dB	---	±2dB
	MCS2	19dBm	±2dB	---	±2dB
	MCS3	19dBm	±2dB	---	±2dB
	MCS4	18dBm	±2dB	---	±2dB
	MCS5	18dBm	±2dB	---	±2dB
	MCS6	15dBm	±2dB	---	±2dB
	MCS7	15dBm	±2dB	---	±2dB
	MCS8	15dBm	±2dB	---	±2dB
	MCS9	15dBm	±2dB	---	±2dB
	MCS10	14dBm	±2dB	---	±2dB
	MCS11	14dBm	±2dB	---	±2dB
	MCS12	7dBm	±2dB	---	±2dB
	MCS13	7dBm	±2dB	---	±2dB

MAXON

Link Of Your Think

Nanjing MAXON O.E. TECH. CO., LTD

TEL: 86-25-86380932

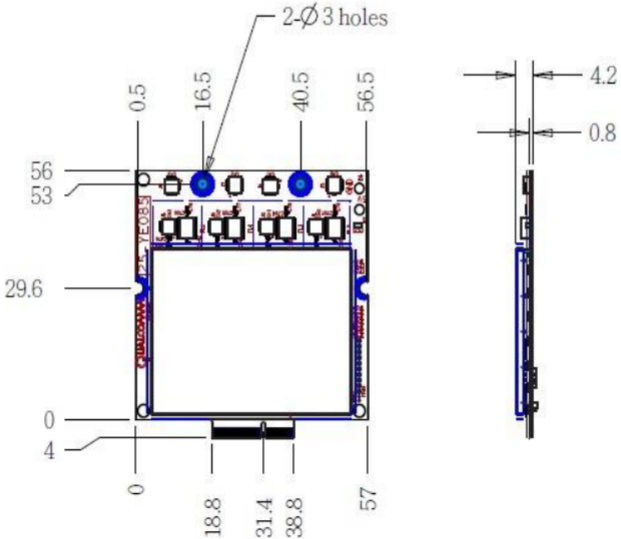
WEB: www.mxcomm.cn

E-MAIL: info@maxonc.com

Nanjing MAXON O.E. TECH. CO., LTD

Add: 6/F, Building A3, Zidong International Creative Park, Zidong Road, Qixia District, Nanjing, China.

Dimensions



MAXON

Link Of Your Think

Nanjing MAXON O.E. TECH. CO., LTD

TEL: 86-25-86380932

WEB: www.mxcomm.cn

E-MAIL: info@maxonc.com